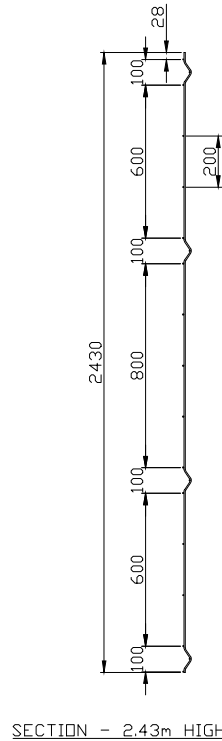
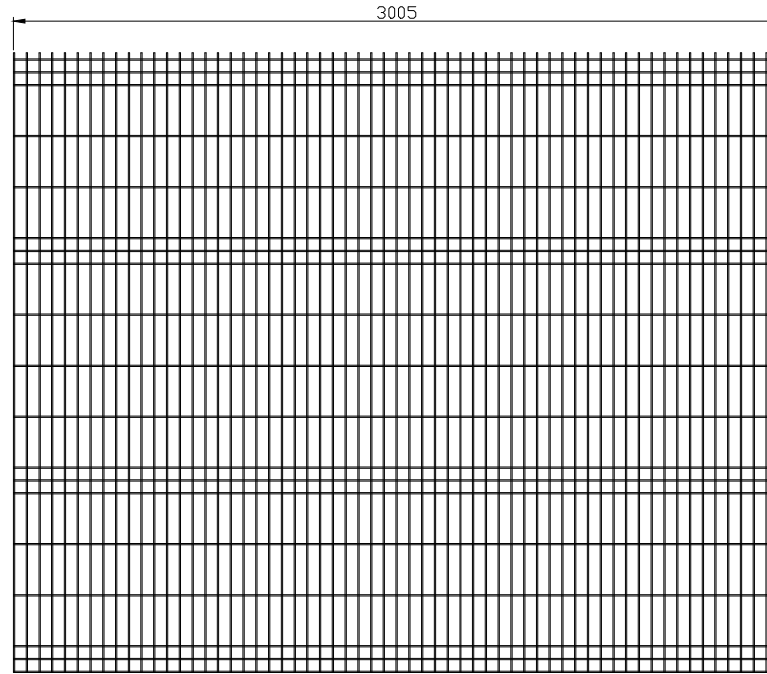


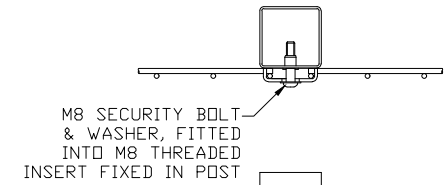
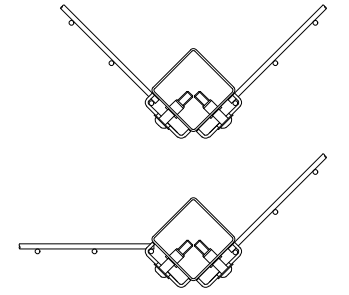
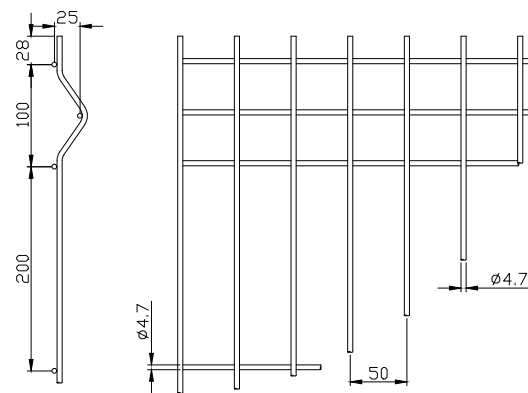
ELEVATION OF 2.43m POST
(SEVEN STANDARD FIXING POINTS)



SECTION - 2.43m HIGH PANEL

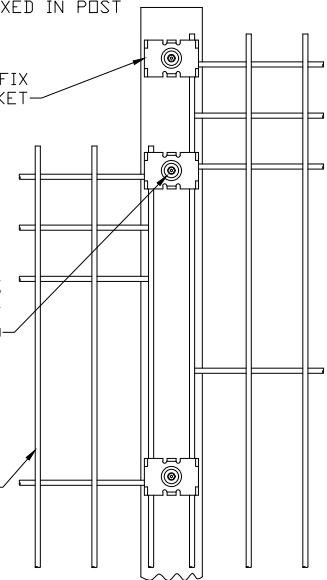


ELEVATION - 2.43m HIGH PANEL




M8 SECURITY BOLT & WASHER, FITTED INTO M8 THREADED INSERT FIXED IN POST

PARAFIX BRACKET



POSTS HAVE ADDITIONAL 'STEPPING HOLES' AT TOP AND BOTTOM - ONLY USE IF REQ'D ON SLOPING GROUND

THIS PANEL SHOWN STEPPED DOWN 110mm

KFS-3M 'PLUS' - 2.43m high	
	Tel: 028 8775 8449
	Email: info@kanecontracts.com
26 Dernanought Road, Galbally, Dungannon, Co. Tyrone, BT70 3BT	
Web: www.kanecontracts.com	