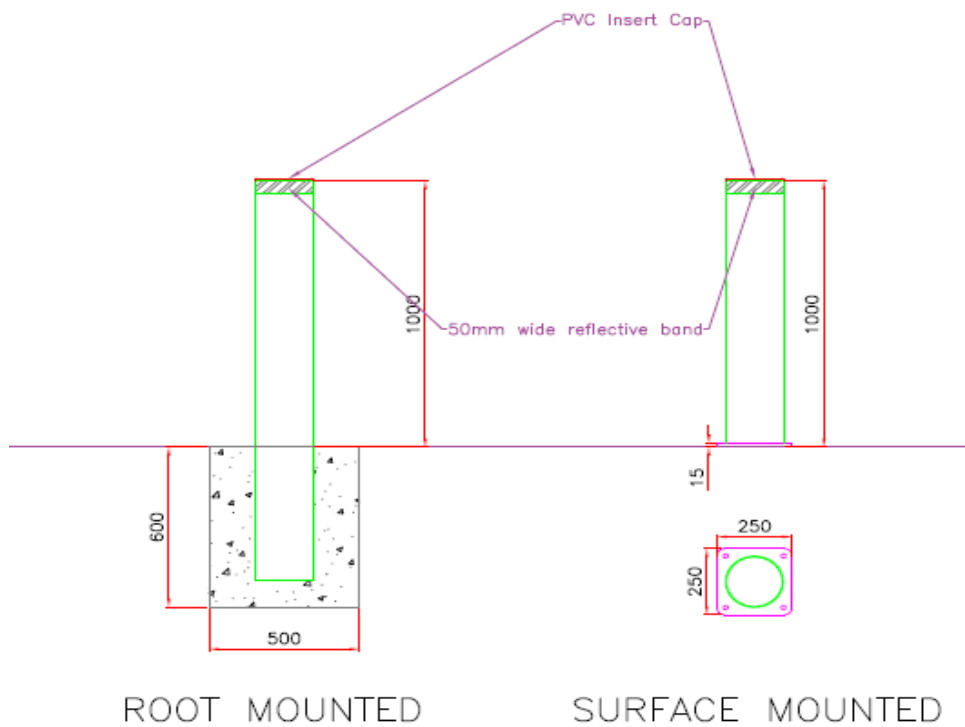


Product Specification Sheet
Heavy duty bollard



Heavy Duty Steel Bollards with hot-dip galvanised & powder coated finish for exceptional durability. Available as surface fix or sub-surface 'concrete in' options



Surface Fixed	
BOLLARD	193.7 x 3.6 CHS
Thickness	3.6 mm thick
Material	Mild steel S275
Finish 1	Galvanised
Finish 2	PPC RAL 1023 (yellow)
Baseplate	250 x 250 x 15 (4 holes 17 dia)
Fixings	M18 Fischer expanding bolt

Root Fixed	
BOLLARD	193.7 x 3.6 CHS
Thickness	3.6 mm thick
Material	Mild Steel S275
Finish 1	Galvanised
Finish 2	PPC RAL 1023 (yellow)
Foundation	500 x 500 – GEN2