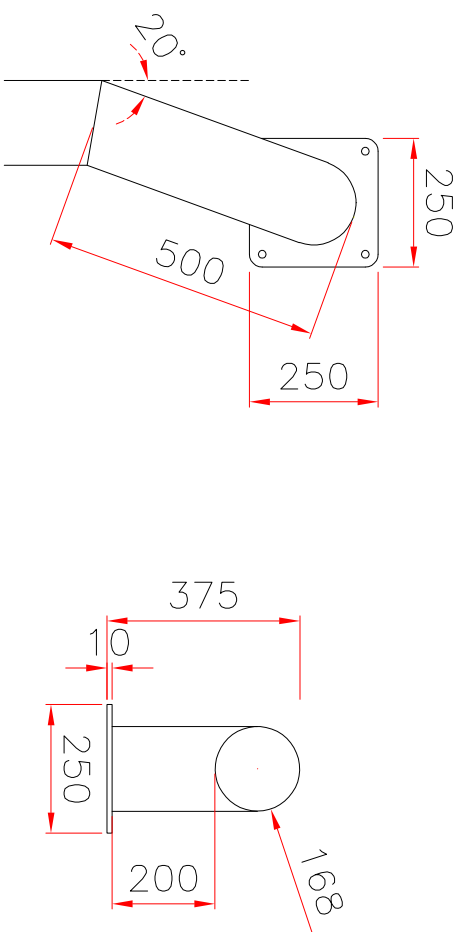
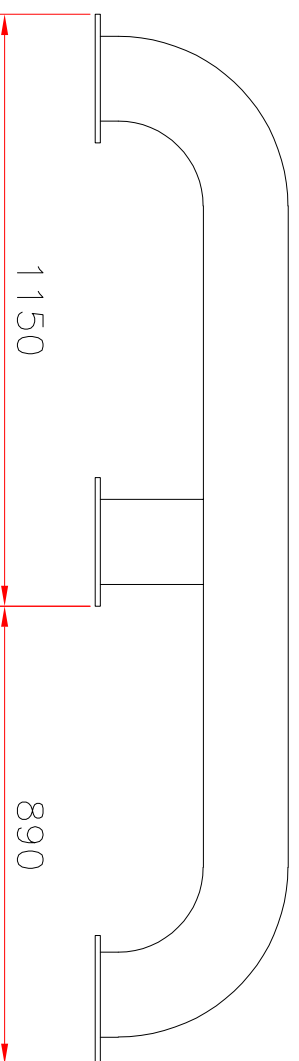
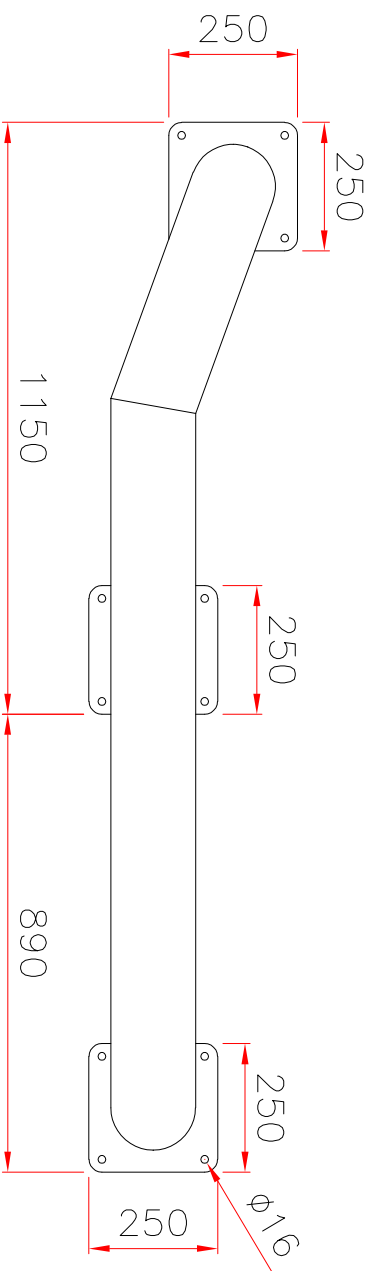
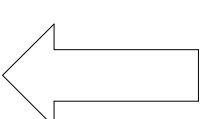


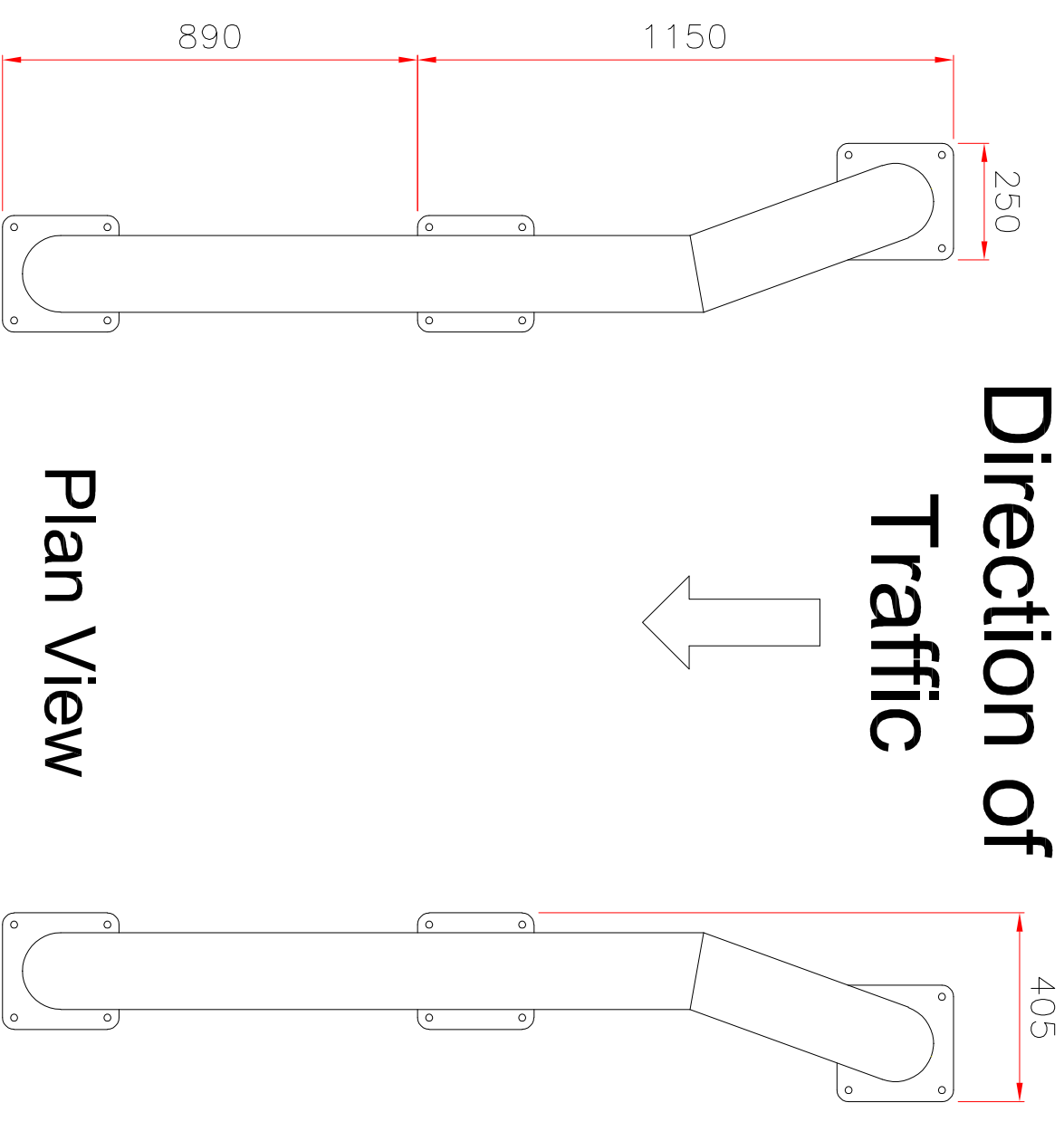
Length:	2070mm	Material:	Mild Steel
Width:	405mm	Finish 1:	Galvanised
Height:	375mm	Finish 2:	PPC RAL 1023
CHS Dia:	168mm	Weight:	48kg each
CHS Wall:	6mm	Fixings:	M16 Fischer ex bolt




**Direction of
Traffic**



Elevation View



Plan View

 fencing systems	fencing systems		FINISH: GALV & PPC	DESCRIPTION: Raised Cranked Wheel Guides	SCALE: NTS	DRAWING NR: RCWG-001
	26 Derranaught Road, Galbally, Dungannon, Co. Tyrone, BT70 3BT www.kanecontracs.com	Tel: 028 8775 8449 Email: info@kanecontracs.com Web: www.kanecontracs.com	TITLE: Standard Detail	CUSTOMER:	DATE: 01.10.21	DRAWN BY: E.K.